

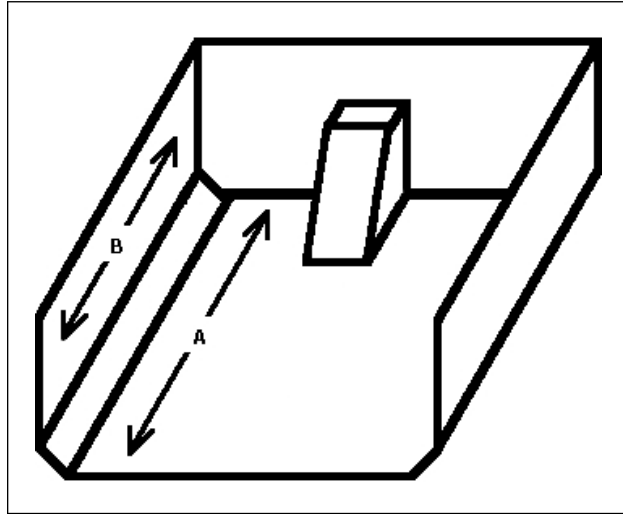
# SUPER-SLIDE®

## DIMENSION WORKSHEET PLASTIC TRUCK BOX LINERS

Please provide all measurements for the fabrication of your Super-Slide dump body liner. Measurements must be within 1/8" to ensure proper fit. Contact your sales representative if you have any questions regarding this worksheet or measurements.

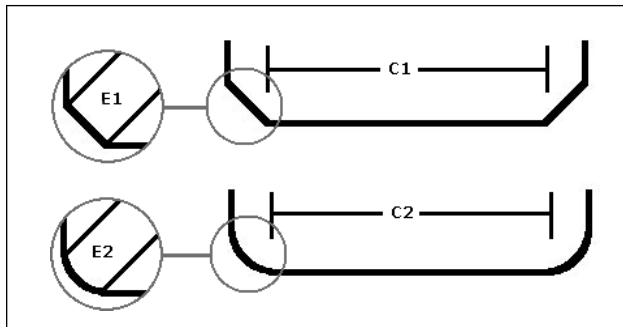
Toll Free: 866-714-3974  
 Boise, ID Direct: 208-376-2221  
 Wisconsin Dells, WI Direct: 608-253-6848

Email: [sales@hornplastics.com](mailto:sales@hornplastics.com)  
 Fargo, ND Direct: 701-282-7447



Dimension B: \_\_\_\_\_

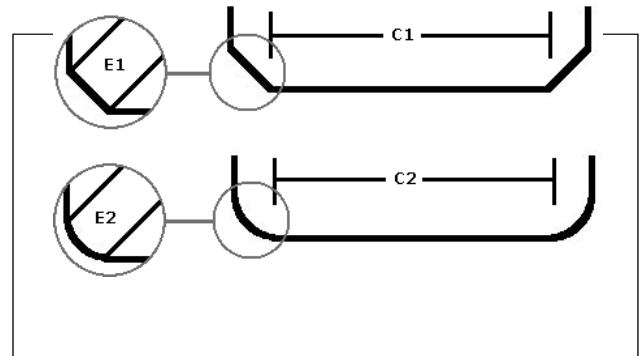
Dimension A: \_\_\_\_\_



**\*FRONT\***

E1: \_\_\_\_\_ and C1: \_\_\_\_\_

E2: \_\_\_\_\_ and C2: \_\_\_\_\_



**\*BACK\***

E1: \_\_\_\_\_ and C1: \_\_\_\_\_

E2: \_\_\_\_\_ and C2: \_\_\_\_\_

Customer Name: \_\_\_\_\_

Customer PO# \_\_\_\_\_

Type of Liner: \_\_\_\_\_

Liner Dim: \_\_\_\_\_